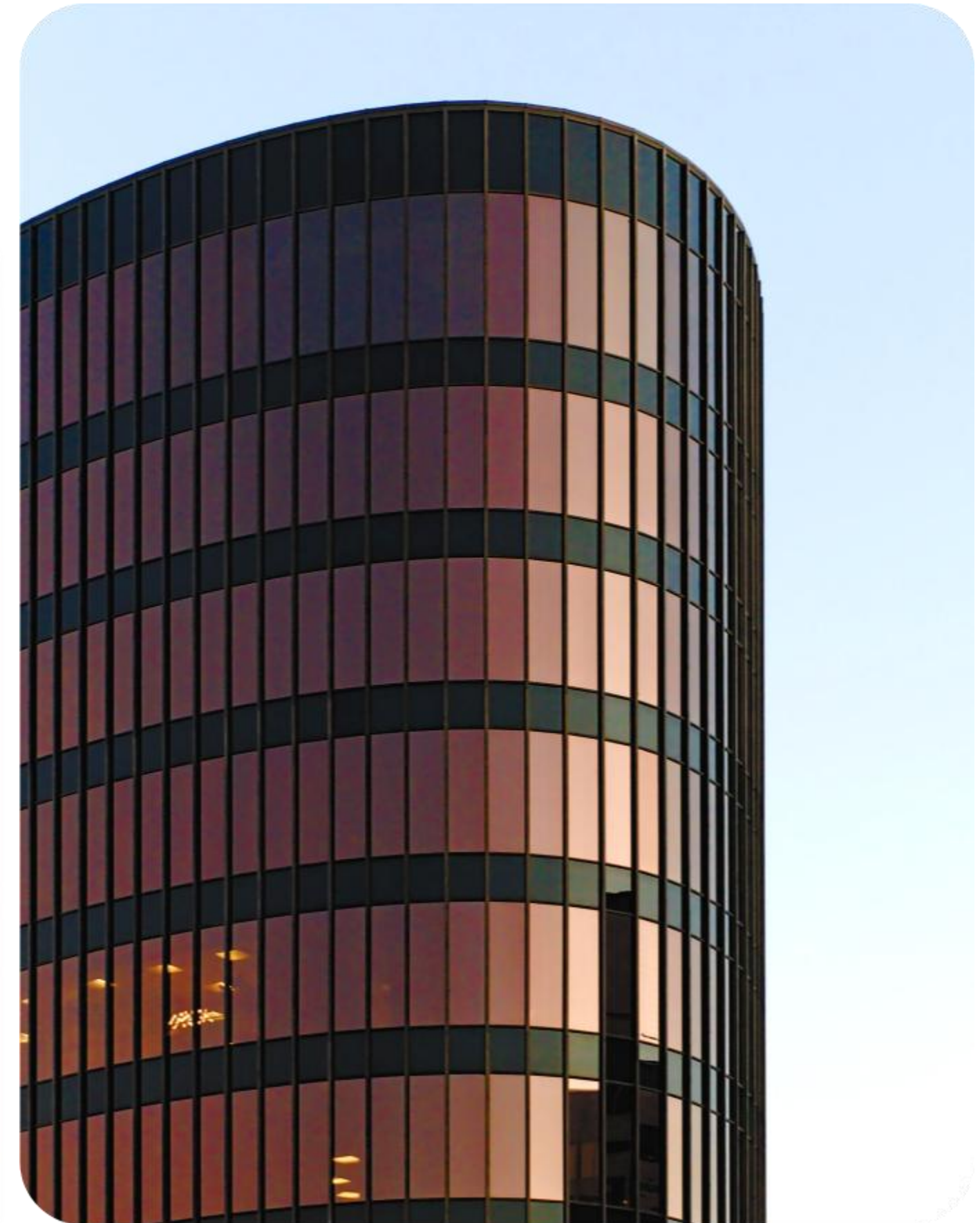


# Partners Solution

# Management Objectives title

The image shows three vertical cards with blue borders, each representing a management objective. Each card has a blue circular icon at the top, a title in Korean, a descriptive sentence, and a smaller illustration at the bottom.

- Card 1 (People):** Icon shows a hand holding three people with a heart above them. Title: **사람**. Description: **행복한 일터, 함께 성장하는 공동체.** Illustration: A blue and yellow robotic arm.
- Card 2 (Technology):** Icon shows a gear with a globe and circuit lines. Title: **기술**. Description: **정밀한 설계, 신뢰의 시공.** Illustration: A black silhouette of a robotic arm.
- Card 3 (Growth):** Icon shows a hand holding a bar chart with an upward arrow. Title: **성장**. Description: **끊임없는 도전, 지속 가능한 확장.** Illustration: A blue and yellow robotic arm.



# Client Company

## 현대위아 01



1. 가공line 공정간 반송장치 4item
2. 가공line Chip Conv' 및 물류장비 30item
3. Brake Disc가공 line 가공Jig류 30item

## 기아/현대자동차 02



1. 소하리 공장 램다 엔진 조립line N/Runner 外 5item
2. 소하리 램다 엔진 자동창고 Conv' 외 물류장비
3. 화성 엔진 자동창고 Conv' 외 Carriage

## 한온시스템 03



1. 라디에터Core 자동조립장치등 3item
2. Chip가공line (파쇄기, 분쇄기등) 1식
3. 다축드릴자동화 System 10item

## 식품회사 04



1. 오뚜기 물류자동화 시스템 제작 및 설치
2. 오리온 캐리지 시스템 제작 및 설치
3. 동원F&B 캐리지 시스템 제작 및 설치

# Robot related materials

HKS employees are working together to provide a solution that integrates collaborative robots, multi-joint robots, and Cartesian robots for the implementation of a customer-tailored automation system.



# Automotive related materials



**Engine Assembly**



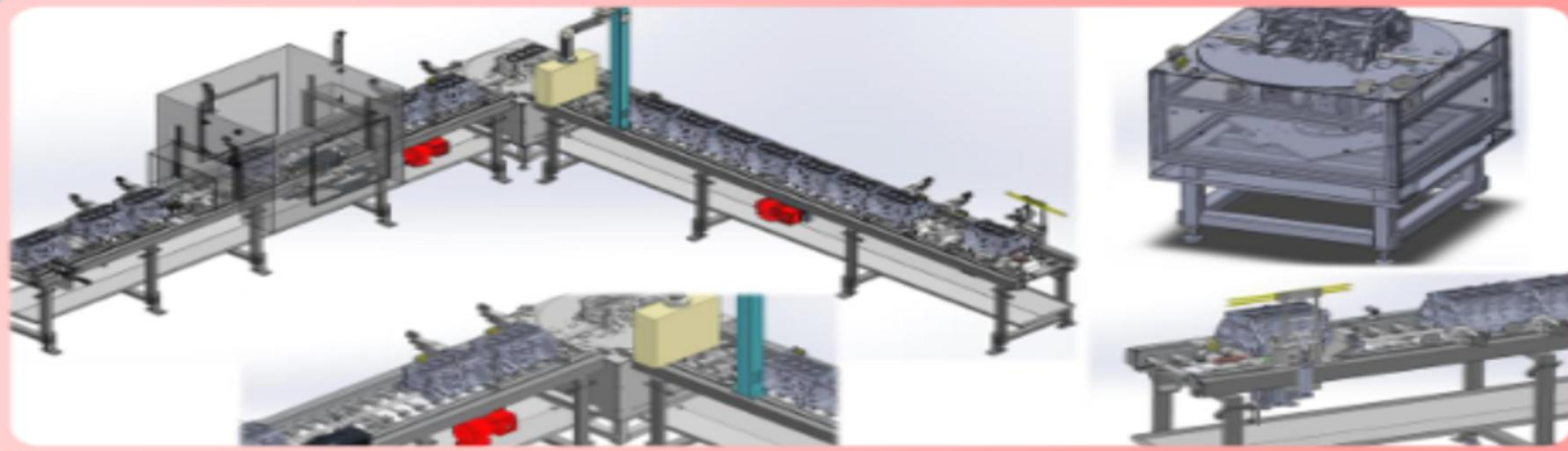
**Engine Assembly Parts**



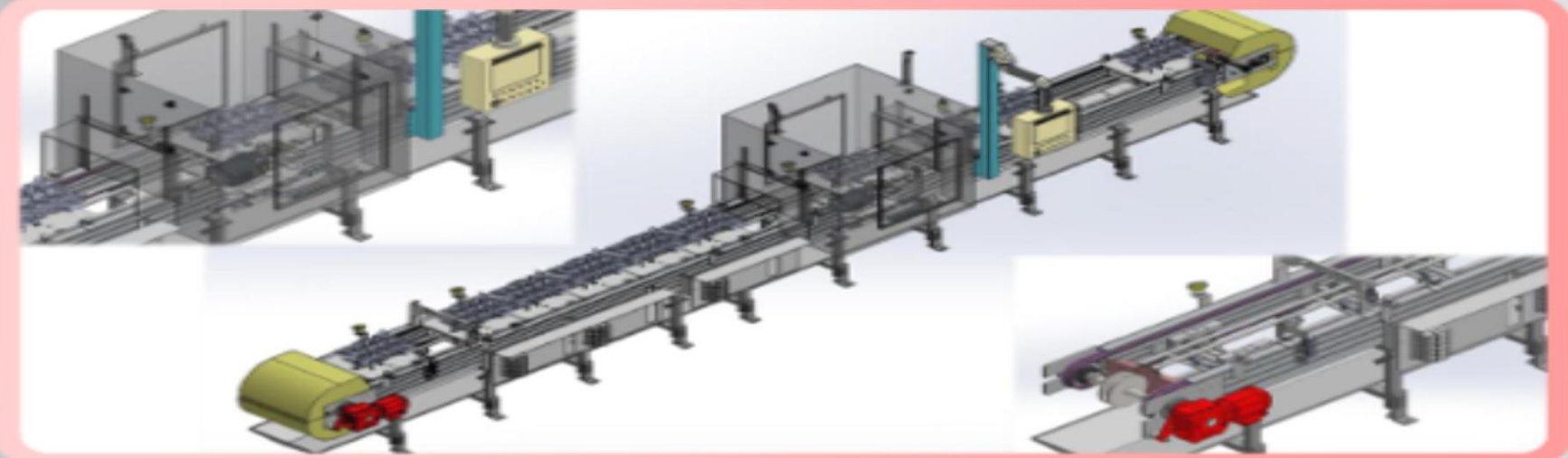
**Carriage Parts**

# Addition ManufactureData

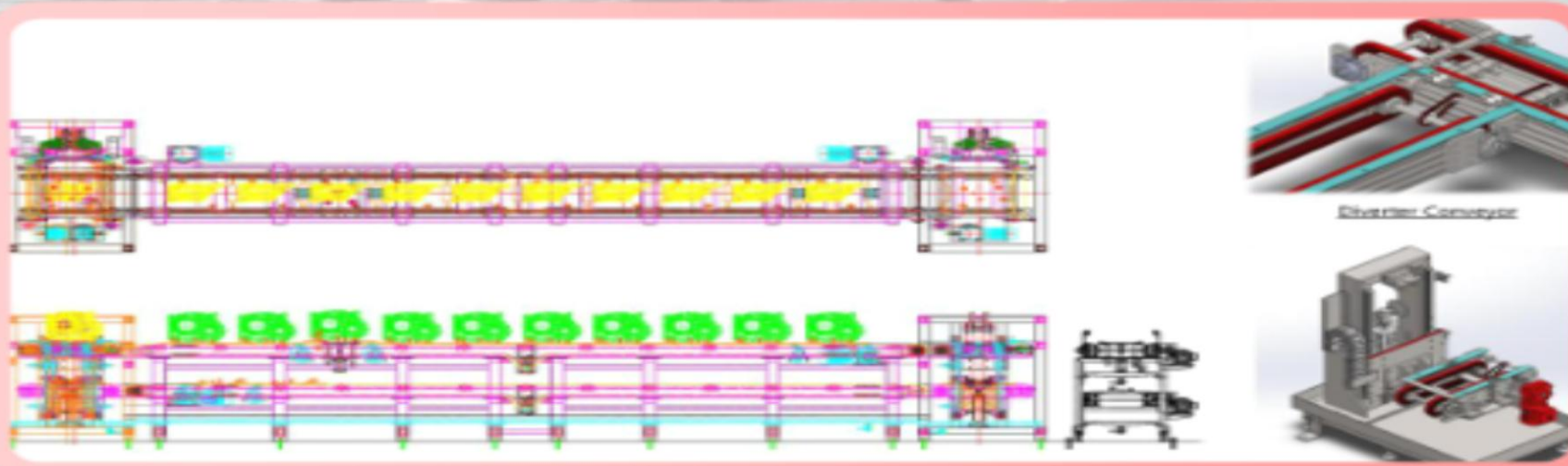
Roller Conveyor



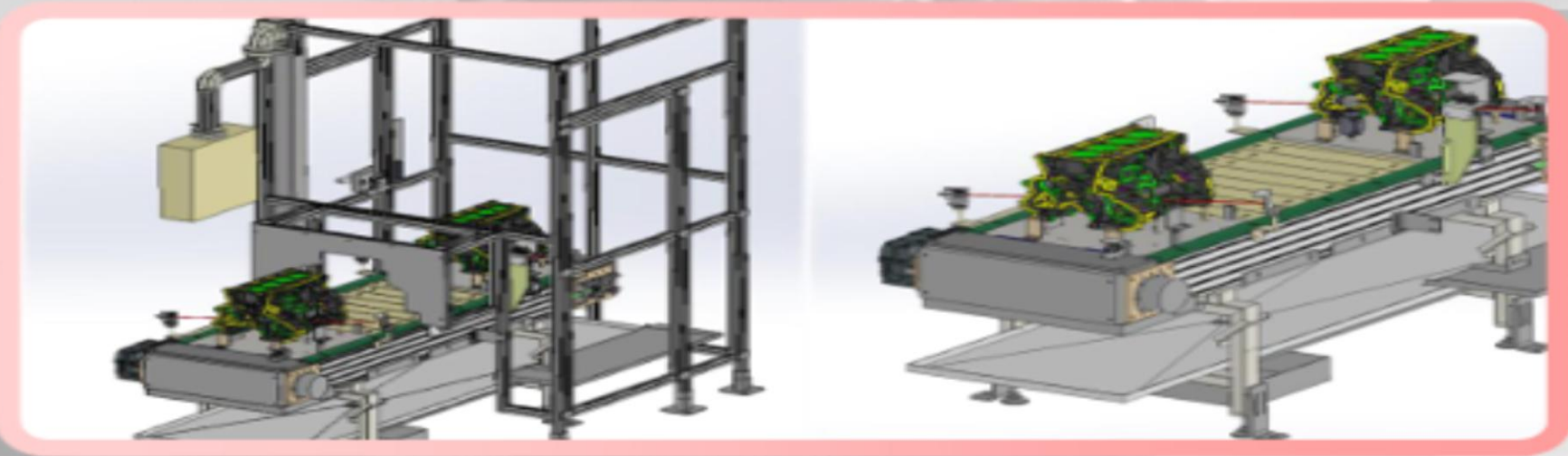
Pallet Conveyor



2단 Plate Conveyor / Diverter Conveyor

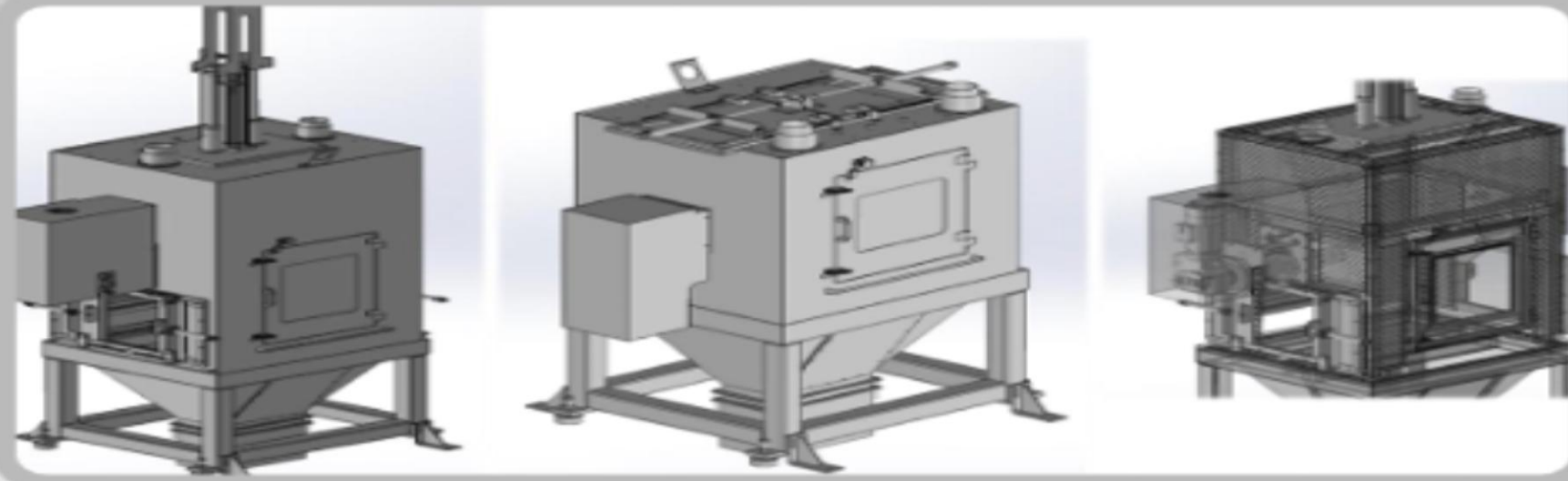


Top Plate Conveyor

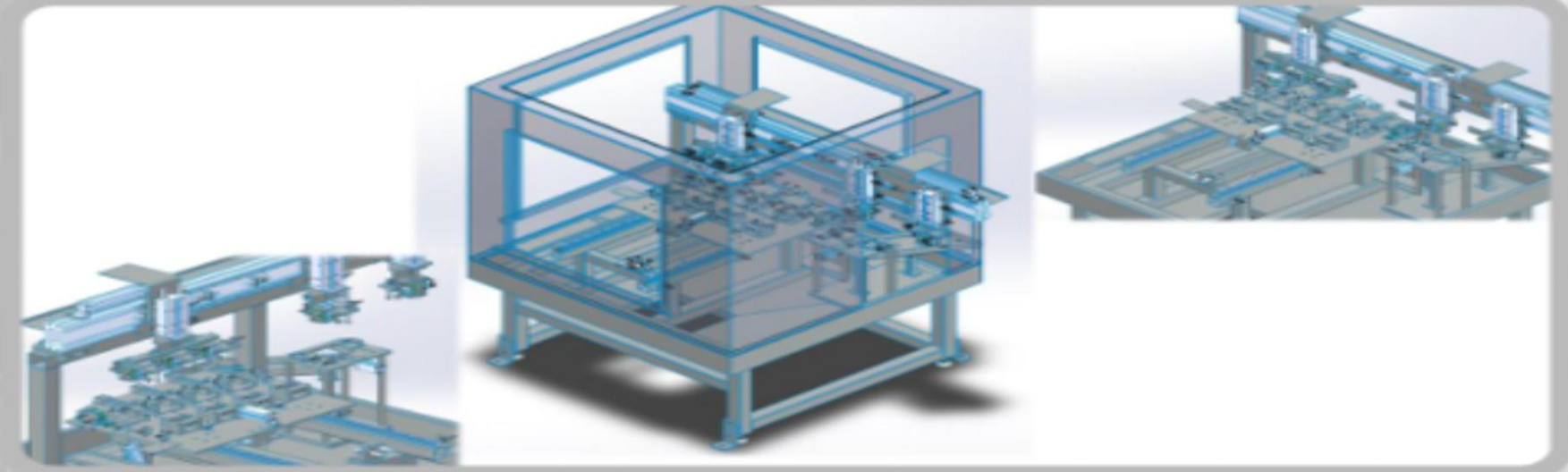


# Addition ManufactureData

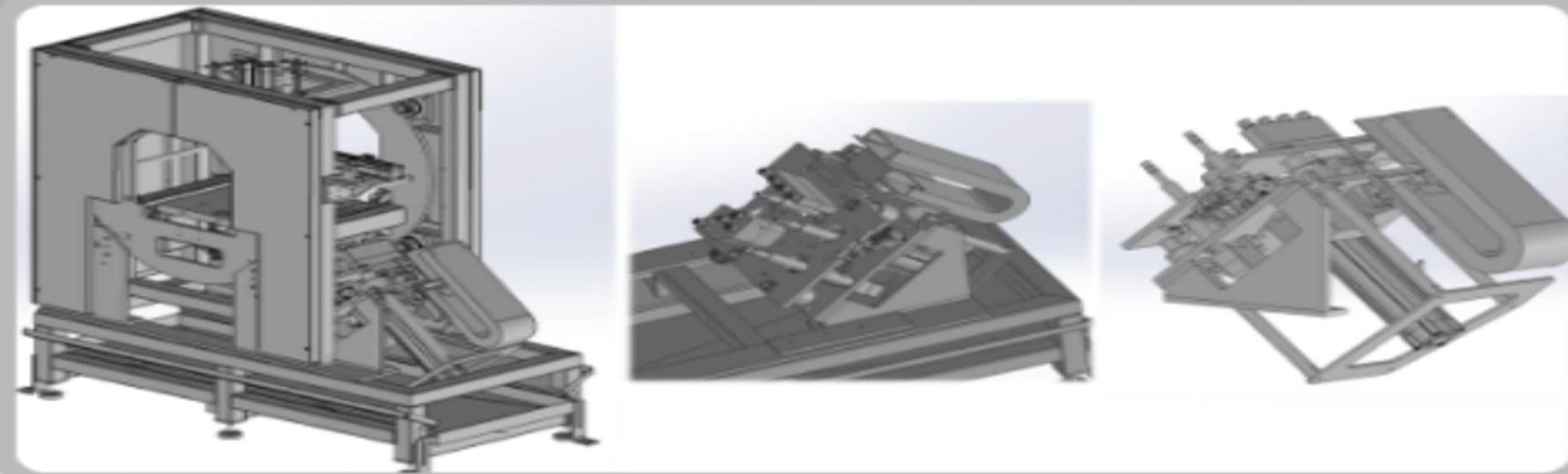
Air blow & Washing station



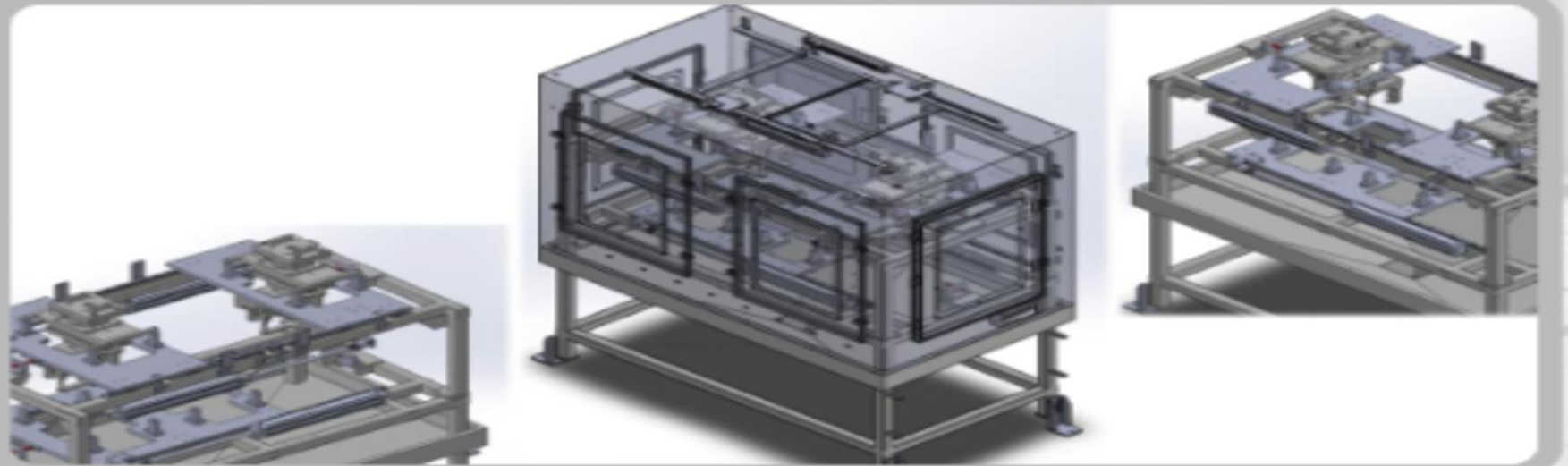
Loading station (In/Out) servo



Nut runner station



Gripper Changing station





We will be HKS that grows together with responsiveness through advanced technology capabilities, providing specifications that meet customer requirements.



032-837-7700



autohks1@gmail.com



HKS Company



Presented by **Charlie park(박정주)**